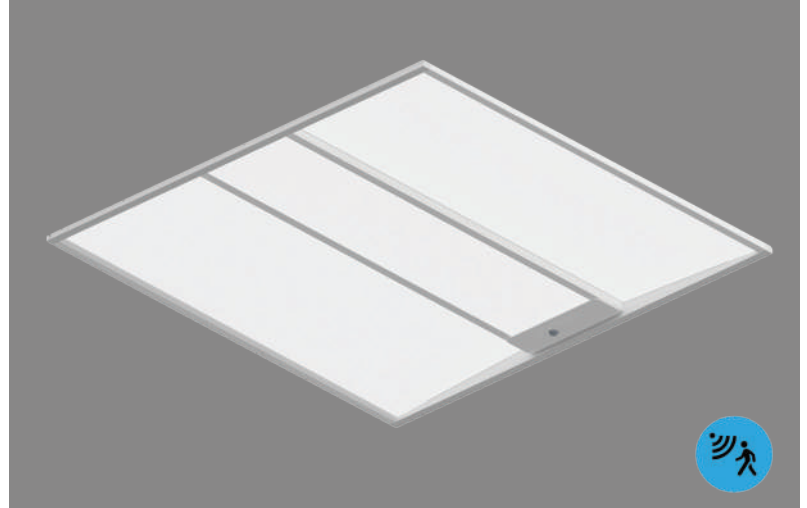


## PRISM SERIES

### ARCHITECTURE LED TROFFER 2X2

The Architectural Prism Line offers an innovation twist for the 2x2 troffer fixture. Angled lens provides depth, and the convenience of multi-wattage and Multi-CCT provides ease of installation, making any application perfectly illuminated.



#### APPLICATIONS

- Schools
- Offices
- Hospitals
- Commercial buildings

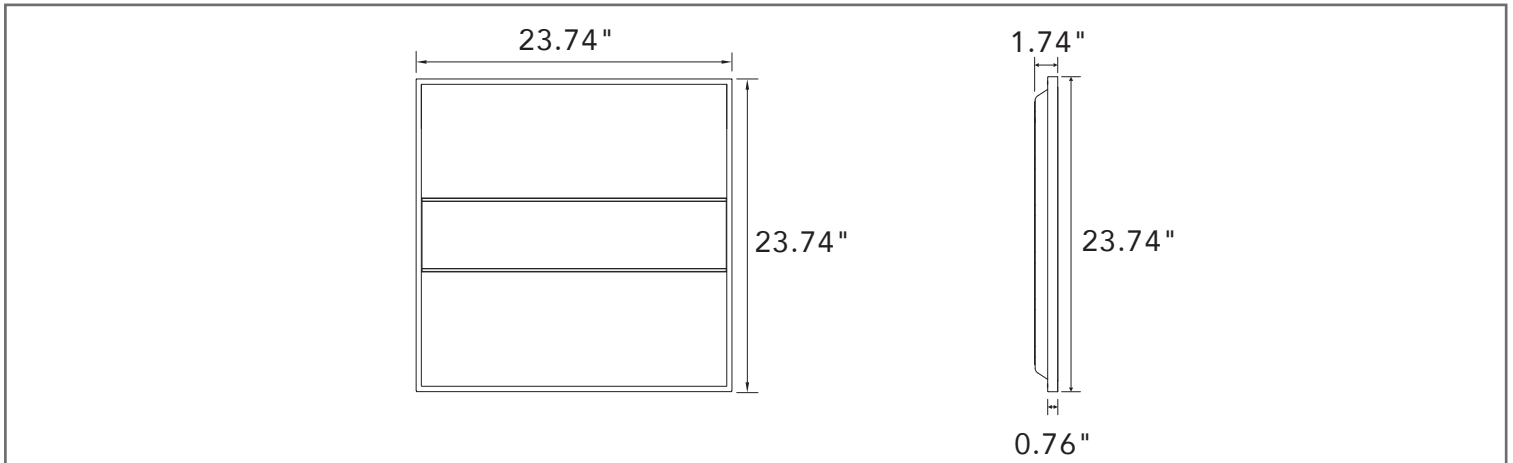
#### FEATURES

- Housings fabricated from 22-gauge, cold-rolled steel
- Matte-white powder coat
- UL, cUL Listed, DLC Qualification, Damp Rated
- CCT adjustable 3500K, 4000K, and 5000K
- Wattage adjustable 15/19/24/29W
- Dual voltage 120-347V
- Optional Microwave sensor available
- 7 year limited warranty

#### SPECIFICATION

ORDER #	MODEL#	SIZES	WATTS	INITIAL LUMENS	VOLTAGE	DIMMING	CCT
R37002	RENO-22PTF-UNV/347-MWMCCT	2 x 2	15/19/24/29W	1950/2470/3120/3770	120-347V	0-10V	3500/4000/5000K
R74001	RENO-SENSOR-PIR-H	PIR DIMMING SENSOR FOR TROFFER					
R73002	RENO-REMOTE-H	REMOTE CONTROL FOR PIR SENSOR					

## DIMENSION



## PHOTOMETRIC

